

SPC SERIES SANITARY CENTRIFUGAL PUMP

Performance
&
Quality



SPC SERIES CENTRIFUGAL PUMP



SEPA KOREA CORP.

Has been engaged in the development and manufacture of sanitary pumps since 1985. SEPA KOREA, the originality of sanitary pumps, produces the reliable, good efficiency pumps and can offer high quality pumps at competitive prices. Advanced design, proper selection of materials and precision construction reflect this wide experience. Our pumps will give trouble-free operation with minimum maintenance and repair. "MAXIMIZE EFFICIENCY, MINIMIZE TROUBLE." is the SEPA KOREA's slogan

This catalogue is intended to provide the preliminary information of our pumps. For more detailed information on our pumps and technical assistance, please contact us at any time. We have experienced engineers available for pumps and related systems to assist you on pump selection, application, installation, operation, maintenance and the other technical information.



■ FEATURES

- Corrosion-resistant-material
- Easy Installation / maintenance
- Adjustable Pump-height
- Low Noise and Low Vibration
- Dynamically Balanced Impeller
- Clockwise from Driver-end
- Wetted Parts Material (SUS316 / SUS316L)
- M/Seal : Single or Double (TC/TC, Sic/Sic)



■ APPLICATIONS

- **Beverage & Brewery**
Liquor, Wine, Sparking Wine, Mash, Wort, Yeast, Beer, Syrup, Concentrate
- **Chemical**
Acid, Alkaly, Waste, Water, Detergent
- **Dairy**
Fresh milk, Whey, Cream, Skimmed milk
- **Food**
Animal & Vegetable Oil, Egg products, Fat, Vinegar, Sauce
- **Meat Processing**
Bnine, Meat, stock, Blood
- **Sugar / Confectionery**
Liquid Sugar, Molasses, Starch solution, Glucoes



■ CONNECTIONS

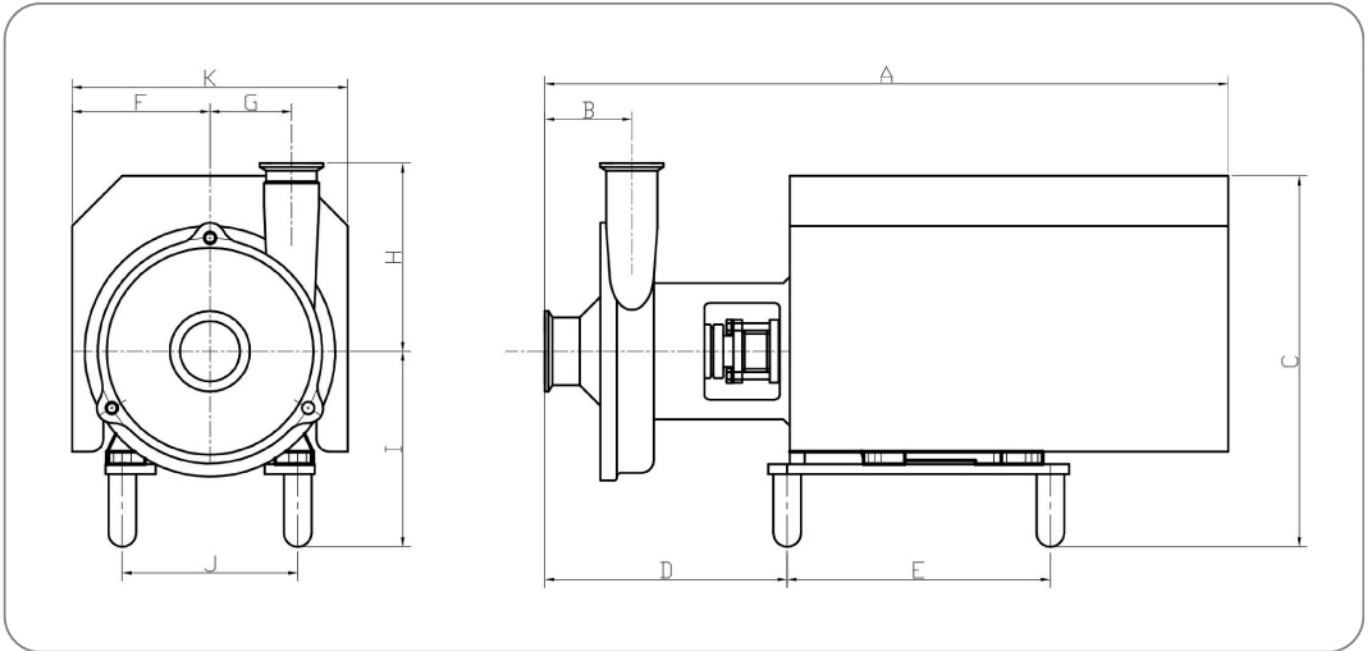
- IDF Male, ISO Clamp, 3A, SMS, DIN and Flange

■ STANDARD SPECIFICATIONS

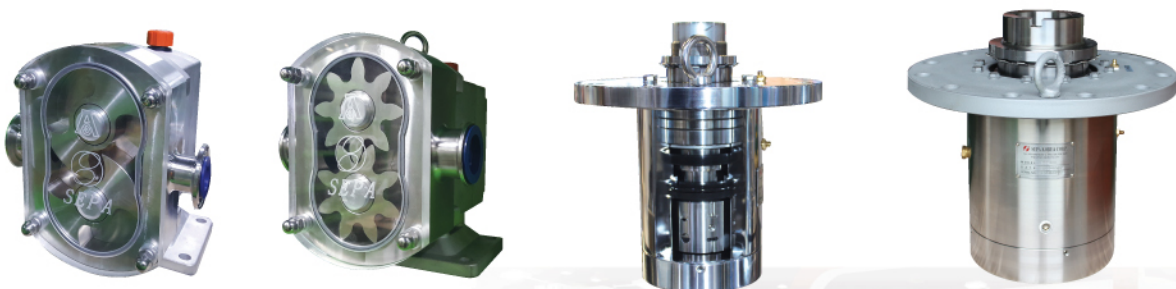
MODEL	CONNECTION		CAPACITY (ℓ / min)	HEAD (m)	POWER HP	M/SEAL Ø (mm)
	In	Out				
SPC-005	1.5"	1.5"	50	12	0.5	25
SPC-01	1.5"	1.5"	100	15	1	
SPC-02	2.0"	1.5"	100	20	2	
SPC-03	2.0"	1.5"	170	25	3	28
SPC-05	2.0"	2.0"	200	30	5	
SPC-07	2.5"	2.0"	400	35	7.5	
SPC-10	2.5"	2.0"	500	40	10	

SPC SERIES CENTRIFUGAL PUMP

■ PUMP DIMENSION



MODEL	A	B	C	D	E	F	G	H	I	J	K
SPC-005	446	70	280	165	210	90	65	150	150	112	180
SPC-01	476	70	289	175	210	110	65	150	159	125	220
SPC-02	506	70	296	174	250	110	65	150	156	140	220
SPC-03	542	70	296	208	250	110	80	150	156	140	220
SPC-05	582	70	331	179	280	135	80	150	178	190	270
SPC-07	663	75	380	200	320	160	90	170	202	216	320
SPC-10	698	75	420	200	320	160	90	170	202	216	320



SEPA KOREA CORP.

Head Office & Factory

116-22, Juseok-ro, Namyang-eup, Hwaseong-si
Gyeonggi-do, 18255, KOREA

Sanitary Div T) +82)70-8769-6301, F) +82)31-356-7685

Pump Div T) +82)70-8769-2823

M.Seal Div T) +82)70-8769-6300

<http://www.sepakorea.com>

